

REVOLVING NOZZLE



TECHNICAL DATA

MODEL	RH
RATED WORKING PRESSURE	175 PSI (12 Bar)
EFFECTIVE OPERATING PRESSURE	2 to 7 Bar
AREA OF COVERAGE	10 Mtrs diameter at 2 Bar (Approximate)
FLOW	285 LPM to 900 LPM
END CONNECTION	Flanged to ANSI B16.5 #150
FINISH	Red epoxy painted
WEIGHT (Approx)	65 NB - 6.8 Kg 80 NB - 7.7 Kg 100 NB - 12.4 Kg



DESCRIPTION

The Revolving Nozzles are generally used to protect the fixed roof storage tank top and for many other applications. The nozzle starts rotating at 2 bar water pressure. The nozzle is of bronze construction with stainless steel ball bearing. It covers about 10 diameters area at 2 Bar.

The main pipeline strainer as per NFPA - 15 is required for system utilizing nozzles orifice diameter less than 9.5 mm (3/8 inch).

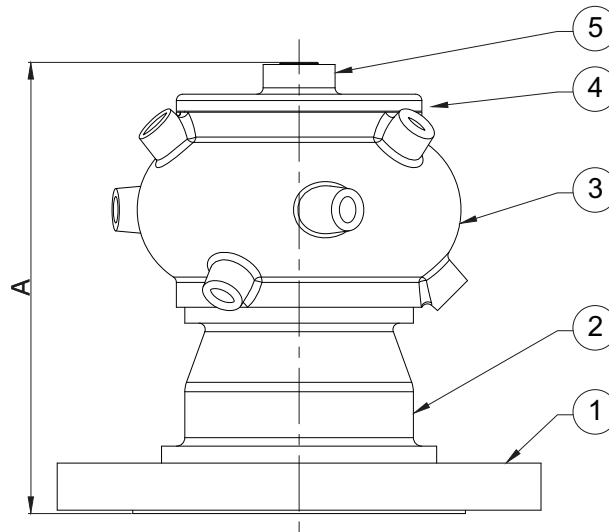
MAINTENANCE

The Revolving Nozzle must be handled with due care. For best results, the storage as well as any further shipment be made in original packing only.

The revolving nozzle which is visibly damaged should not be installed.

It is recommended that water spray system be inspected regularly by authorised technical personnel. The nozzle must be checked for atmospheric effects, external and internal obstruction, blockage if any. The nozzle should be cleaned or replaced if required. The system must be operated with optimum water flow atleast four times in a year or as per the provisions of NFPA / TAC or local authority having jurisdiction.

The owner is solely responsible for maintaining the water spray system and the components therein so that it performs properly when required.



SR.NO	DESCRIPTION	MATERIAL SPECIFICATION
1	FLANGE	ASTM A105
2	HOUSING	BRONZE IS:318/ ASTM B62
3	REVOLVING ROUND HEAD	BRONZE IS:318/ ASTM B62
4	BALL	S.S.
5	CAP	BRONZE IS:318/ ASTM B62

DIMENSION in millimeter (Approximate)

FLOW RATE AT 2 BAR	FLANGE SIZE	DIMENSION A
285 TO 450 LPM	65 NB	152
451 TO 600 LPM	80 NB	152
601 TO 900 LPM	100 NB	213

LIMITED WARRANTY

HD FIRE PROTECT PVT. LTD. hereby referred to as HD FIRE warrants to the original purchaser of the fire protection products manufactured by HD FIRE and to any other person to whom such equipment is transferred, that such products will be free from defect in material and workmanship under normal use and care, for two (2) years from the date of shipment by HD FIRE. Products or Components supplied or used by HD FIRE, but manufactured by others, are warranted only to the extent of the manufacturer's warranty. No warranty is given for product or components which have been subject to misuse, improper installation, corrosion, unauthorized repair, alteration or un-maintained. HD FIRE shall not be responsible for system design errors or improper installation or inaccurate or incomplete information supplied by buyer or buyer's representatives. HD FIRE will repair or replace defective material free of charge, which is returned to our factory, transportation charge prepaid, provided after our inspection the material is found to have been defective at the time of initial shipment from our works. HD FIRE shall not be liable for any incidental or consequential loss, damage or expense arising directly or indirectly from the use of the product including damages for injury to person, damages to property and penalties resulting from any products and components manufactured by HD FIRE. HD FIRE shall not be liable for any damages or labour charges or expense in making repair or adjustment to the product. HD FIRE shall not be liable for any damages or charges sustained in the adaptation or use of its engineering data & services. In no event shall HD Fire's product liability exceed an amount equal to the sale price. The foregoing warranty is exclusive and in lieu of all other warranties and representation whether expressed, implied, oral or written, including but not limited to, any implied warranties or merchantability or fitness for a particular purpose. All such other warranties and representations are hereby cancelled.

NOTICE :

The equipment presented in this bulletin is to be installed in accordance with the latest publication standards of NFPA or other similar organisations and also with the provision of government codes or ordinances wherever applicable.

The information provided by us is to the best of our knowledge and belief, and consist of general guidelines only. Site handling and installation control is not in our scope. Hence we give no guarantee for result and take no liability for damages, loss or penalties whatsoever, resulting from our suggestion, information, recommendation or damages due to our product.

Product development is a continuous programme of HD FIRE PROTECT PVT. LTD. and hence the right to modify any specification without prior notice is reserved with the company.



HD FIRE PROTECT PVT. LTD.
Protecting What Matters Most to You

D-6/2, ROAD NO. 34, WAGLE INDUSTRIAL ESTATE, THANE 400 604, INDIA.
• TEL: + (91) 22 2158 2600 • FAX: +(91) 22 2158 2602
• EMAIL: info@hdfire.com • WEB: www.hdfire.com